

IN LINE FLAME ARRESTER

Deflagration type In Line Bi Directional

Precon In Line Deflagration Flame Arresters are designed to be installed in a pipeline very close to the potential source of ignition and thus prevent any flame or explosion proceeding further. such an explosion would be a confined deflagration. The pipeline between the flame arrester and the source of ignition should be straight, smooth, unobstructed and without any bends, junctions or changes in section. these products are essential safety equipment for the protection of plant and personnel from the risk of fire and explosion.

If a flame is permitted to travel for some distance down a pipeline, particularly where conditions exist that could induce turbulence, then it will accelerate. eventually it may reach and exceed the speed of sound in the unburnt gas. such conditions would be created by bends, obstructions, roughness or changes in pipe section. The resulting (confined) detonation would require the use of an in-line Detonation Flame Arrester.

Pre'con high pressure deflagration arrester is designed to protect against high velocity and pressure flame front.

The arresters are Bi Directional and can stop Low, Medium and High pressure Deflagration. Pre'con design provides multiple layers of flame element which offers maximum flow at lower pressure drop.



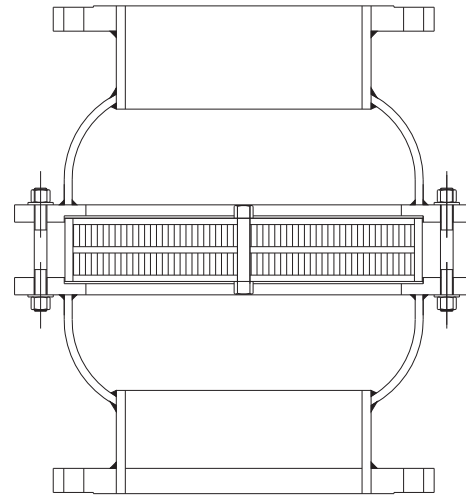
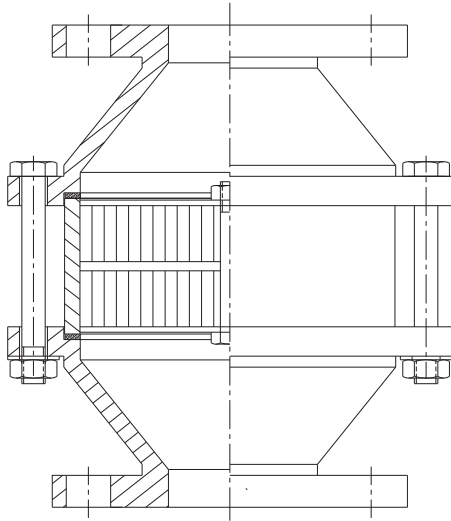


TABLE – 1 SELECTION OF MATERIAL

Description	A	B	C	D
Body	Cast Aluminium	CS	SS304	SS316
Bank	SS 304/SS 316	SS 304/SS 316	SS 304/SS 316	SS 316
Bank Shell	A 106 Gr B	A 106 Gr B	SS304	SS316
Fasteners	MS Zinc plated	MS Zinc plated	SS304	SS316
Gasket	Non Asbestos	Non Asbestos	PTFE	PTFE

Any special materials like Teflon coating, FRP coating, Hast alloy, upon request.

End connections : ANSI, DIN, JIS,BS & IS
 Smaller size available on request.