

## RANGE OF PRODUCTS

### **End of line Free vent**

PRECON Free Vent Flame Arresters are designed to allow free venting in combination with flame protection for vertical vent applications. This type product is installed at the top of an atmospheric vent line or storage tank. They prevent flame propagation by absorbing and dissipating heat using spiral wound crimped ribbon flame cells. These cells allow maximum flow with maximum protection.

The Free Vent Flame Arrester is used to stop the propagation of confined and unconfined low pressure deflagrations. It prevents an ignited atmospheric vapor cloud from propagating beyond the Flame Arrestor into the vent line or tank.

Free Vent Flame Arrester's are typically used for the end of line applications when the system operating pressure is near atmospheric levels and when there is minimum probability of a flame stabilizing on the Flame Arrestor element for an extended period.

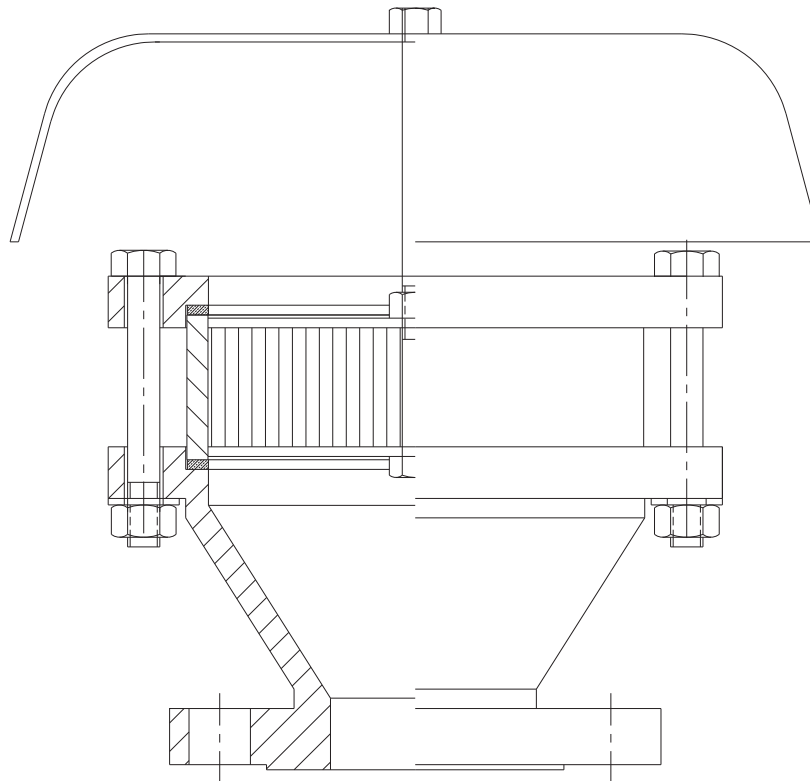
Free Vent Flame Arrestors allow free venting and flame protection for vertical vent applications. Designed with flanged connections, this arrester allows removal of the flame cell element without their removal of the venting assembly.

Standard housing construction is aluminum, carbon steel, and stainless steel.

The element is available in aluminum or stainless steel.

Special material and protective coatings are available on request.





PFCI / FA /2050 ( FV)

**TABLE – 1 SELECTION OF MATERIAL**

Description	A	B	C	D
Body	Cast Aluminium	CS	SS304	SS316
Bank	SS 304/SS 316	SS 304/SS 316	SS 304/SS 316	SS 316
Bank Shell	A 106 Gr B	A 106 Gr B	SS304	SS316
Fasteners	MS Zinc plated	MS Zinc plated	SS304	SS316
Gasket	Non Asbestos	Non Asbestos	PTFE	PTFE
Weather Hood	SS Utensil grade	SS Utensil Grade	SS Utensil Grade	SS Utensil Grade

**Any special materials like Teflon coating, FRP coating, Hast alloy, upon request.**

End connections : ANSI, DIN, JIS,BS & IS  
Smaller size available on request.