

**PRESSURE RELIEF VALVE
MODEL NO: PFCI/BV/2049**

The Pre'con Model No: PFCI/BV/2049 Pressure vent is designed based over 30 years of technical expertise in manufacturing high quality and reliable conservation vent.

The continual improvements in design provides the optimum combination of reliability, High flow capacity and low leakage rate suitable for variety of service.

The Pressure relief valve provides pressure relief for storage tanks and vessels having low design pressure.

Standard material of construction for body is Cast Aluminium, Cast Steel, Stainless steel 304/316. Seats & Pallets are made of Aluminium, Stainless Steel 304/316. The seats are easily replaceable.

Special Features.

Pre'con Special "air cushioning" diaphragms are constructed of Teflon. Teflon diaphragms contribute to high resistance to adhesion of ice & gum formation caused by atmospheric moisture and resinous vapors. Thus assuring protection against pallet sticking to the seating surface.

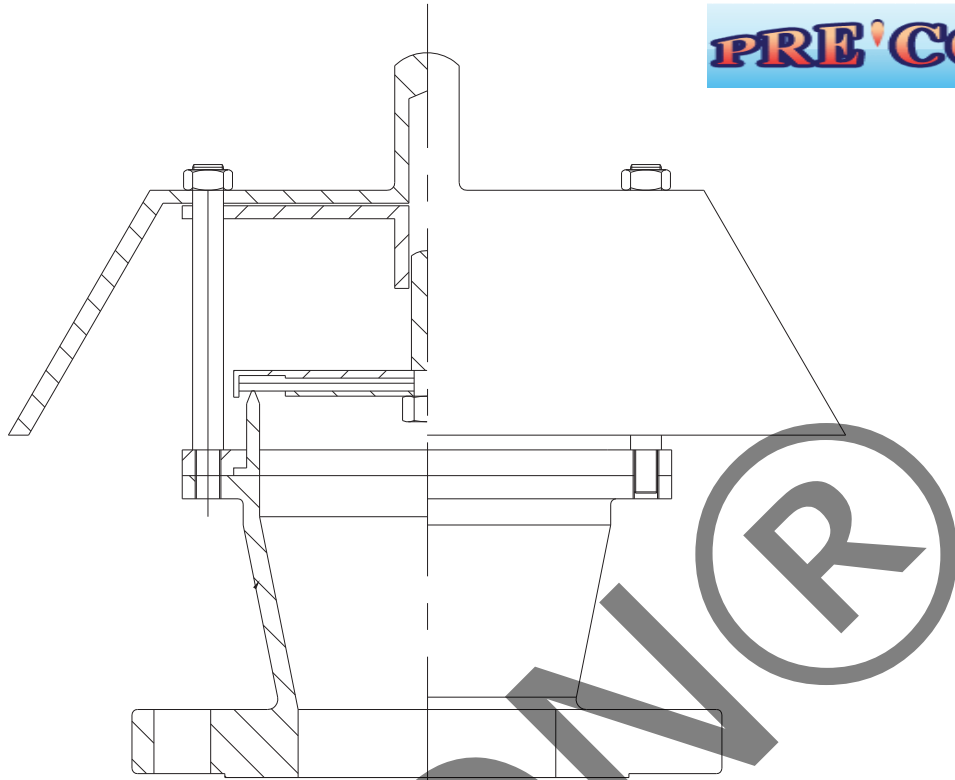
The carefully constructed seat and pallet assembly offer superior combination for High flow capacity with minimum over pressure.

The Vertical central guiding system ensures the proper alignment of seating surface and vertical lift of pallet provides maximum flow.

All pre'con products are inspected and tested in house to meet all critical requirements of customer.

The venting capacities certified in accordance with API /ISO and EN standard.





PFCI / BV / 2049

TABLE – 1 SELECTION OF MATERIAL

| Description | A | B | C | D |
|--------------------|-----------------|-----------------|-----------------|-----------------|
| Body | Cast Aluminium | CS | A 351 CF8 | A351 CF8M |
| Seat | SS304 | SS304 | SS304 | SS316 |
| Diaphragm | PTFE | PTFE | PTFE | PTFE |
| Stem | SS304 | SS304 | SS304 | SS316 |
| Weather hood | Aluminum | Aluminum | Aluminum | Aluminum |
| Screen | Stainless Steel | Stainless Steel | Stainless Steel | Stainless Steel |
| Fasteners | MS Zinc plated | MS Zinc plated | SS304 | SS316 |

Any special materials like Teflon coating, FRP coating, Poly Propylene, Hast alloy, upon request.

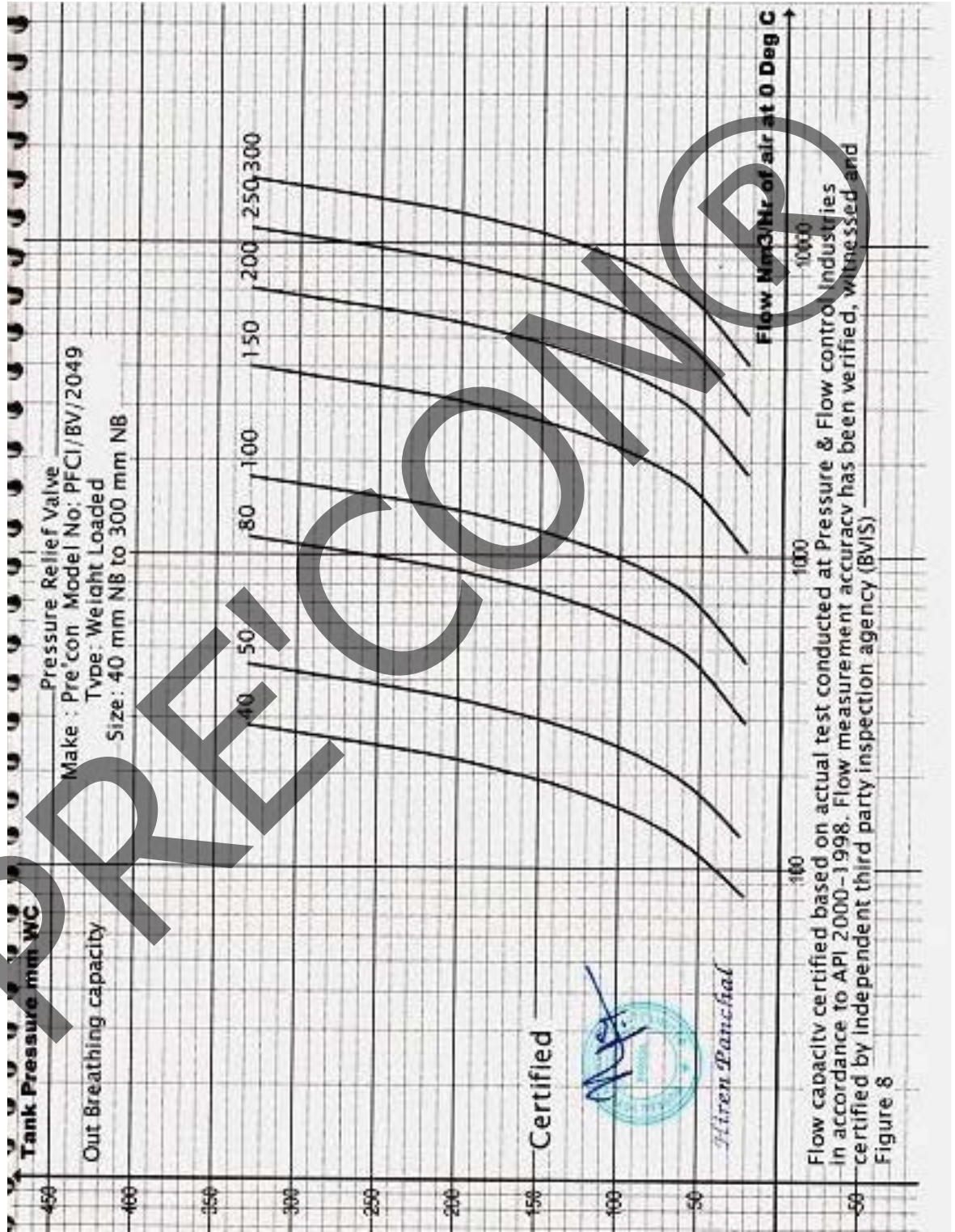
TABLE – 2 SELECTION OF PALLET MATERIAL

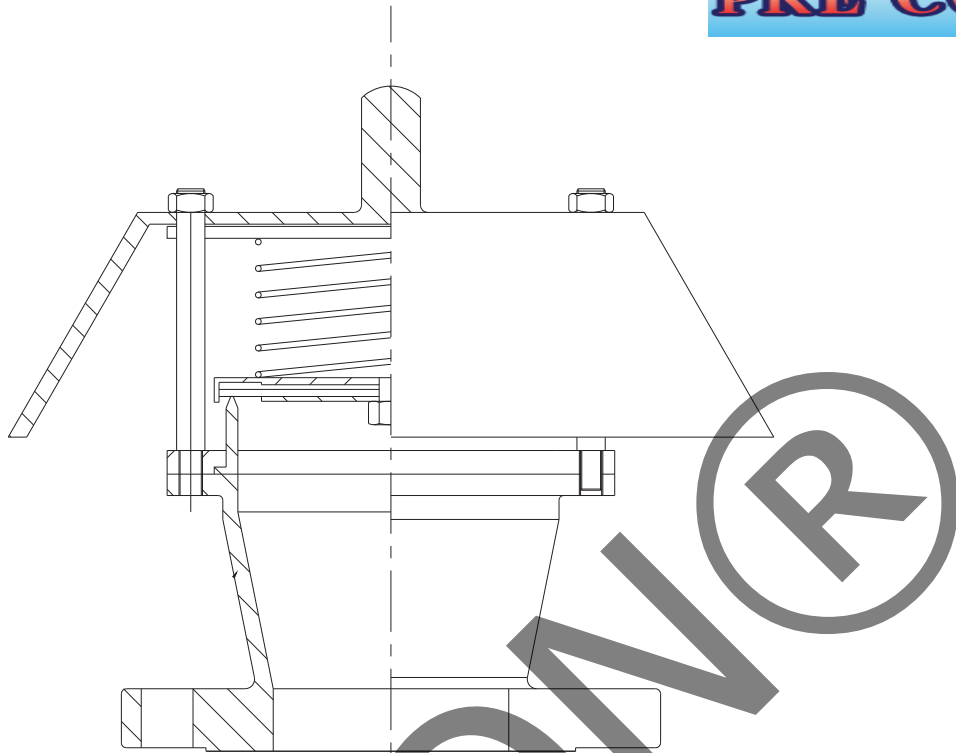
| Description | A | B | C |
|-----------------------|----------|-----------------|--|
| Set Pressure in mm Wc | 15 to 30 | 30 to 100 | 100 to 400 |
| Pallet Material | Aluminum | Stainless Steel | Stainless Steel with additional Weight |

Any special materials like Teflon coating, FRP coating, Hast alloy, Poly Propylene, Titanium upon request.

End connections : ANSI, DIN, JIS,BS & IS
Mounting Holes are straddle centerline.

CERTIFIED FLOW CAPACITY CURVE
MODEL NO: PFCI / BV / 2049





PFCL / BV / 2049 / SL

TABLE – 1 SELECTION OF MATERIAL

| Description | A | B | C | D |
|--------------------|-------------------|-------------------|-----------------|-----------------|
| Body | Cast Aluminium | CS | A 351 CF8 | A351 CF8M |
| Seat | SS304 | SS304 | SS304 | SS316 |
| Diaphragm | PTFE | PTFE | PTFE | PTFE |
| Stem | SS304 | SS304 | SS304 | SS316 |
| Weather hood | Aluminum | Aluminum | Aluminum | Aluminum |
| Screen | Stainless Steel | Stainless Steel | Stainless Steel | Stainless Steel |
| Fasteners | MS Zinc plated | MS Zinc plated | SS304 | SS316 |
| Spring | CS Cadmium plated | CS Cadmium plated | SS304 | SS316 |

Any special materials like Teflon coating, FRP coating, Poly Propylene, Hastalloy, upon request.

TABLE – 2 SELECTION OF PALLET MATERIAL

| Description | A | B | C |
|-----------------------|-----------------|-----------------|-----------------|
| Set Pressure in mm Wc | 500 to 10000 | 500 to 10000 | 50 to 400 |
| Pallet Material | Stainless Steel | Stainless Steel | Stainless Steel |

Any special materials like Teflon coating, FRP coating, Hastalloy, Poly Propylene, Titanium upon request.

End connections : ANSI, DIN, JIS, BS & IS
Mounting Holes are straddle centerline.

