

BREATHER VALVE (SPRING LOADED)
MODEL NO: PFCI/BV/2046 (SL)

The Pre'con Model No: PFCI/BV/2046(SL) Breather vent Spring loaded is designed based over 30 years of technical expertise in manufacturing high quality and reliable conservation vent.

This valve meets the need of High pressure setting required on storage tanks, Process Vessels and piping.

Higher Set pressure accommodate using a spring loaded design which provides reliable operation. The Vacuum is provided with weight loaded vertical lift pallet assembly which assure required flow of air in to the tank/vessel.

Standard material of construction for body is Cast Aluminium, Cast Steel, Stainless steel 304/316. Seats & Pallets are made of Aluminium, Stainless Steel 304/316. The seats are easily replaceable.

Special Features.

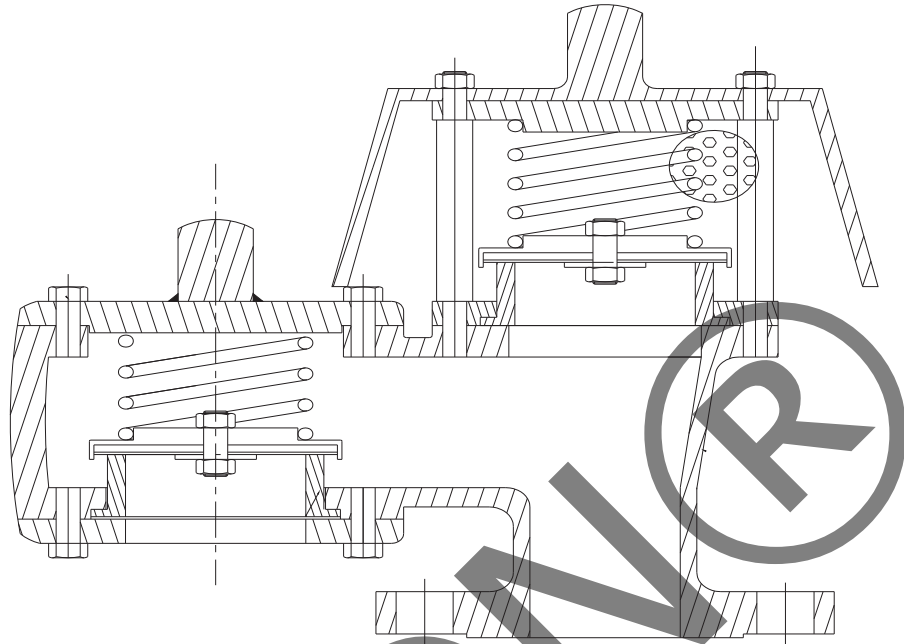
Precon Special “air cushioning” diaphragms are constructed of Teflon. Teflon diaphragms contribute to high resistance to adhesion of ice & gum formation caused by atmospheric moisture and resinous vapors. Thus assuring protection against pallet sticking to the seating surface.

The carefully constructed seat and pallet assembly offer superior combination for High flow capacity with minimum over pressure.

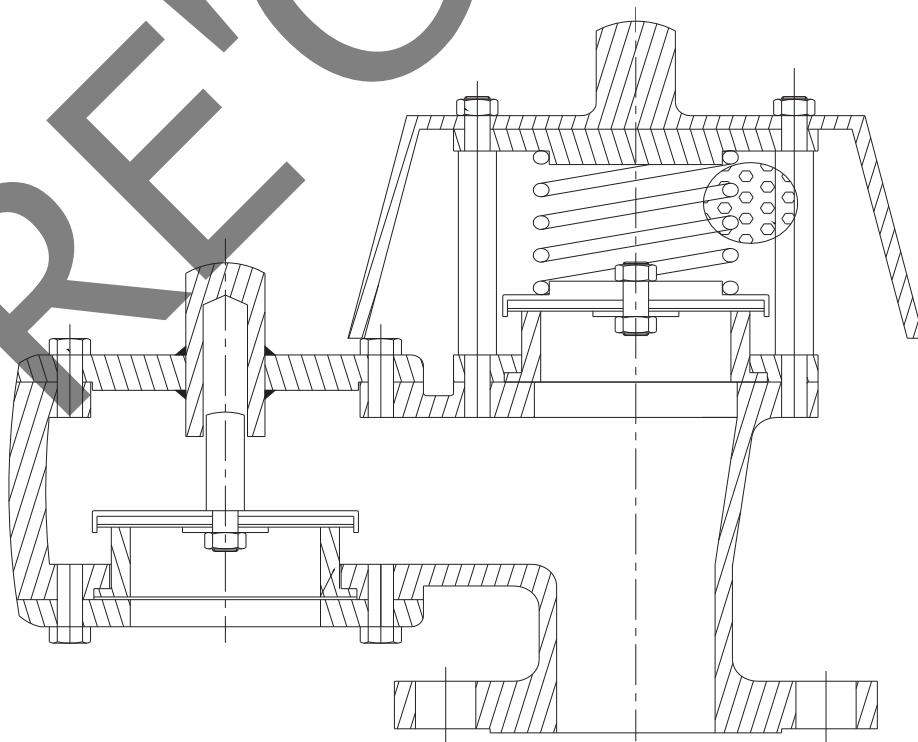
Vertical central guiding system ensures the proper alignment of seating surface and vertical lift of pallet provides maximum flow.

All pre'con products are inspected and tested in house to meet all critical requirements of customer.

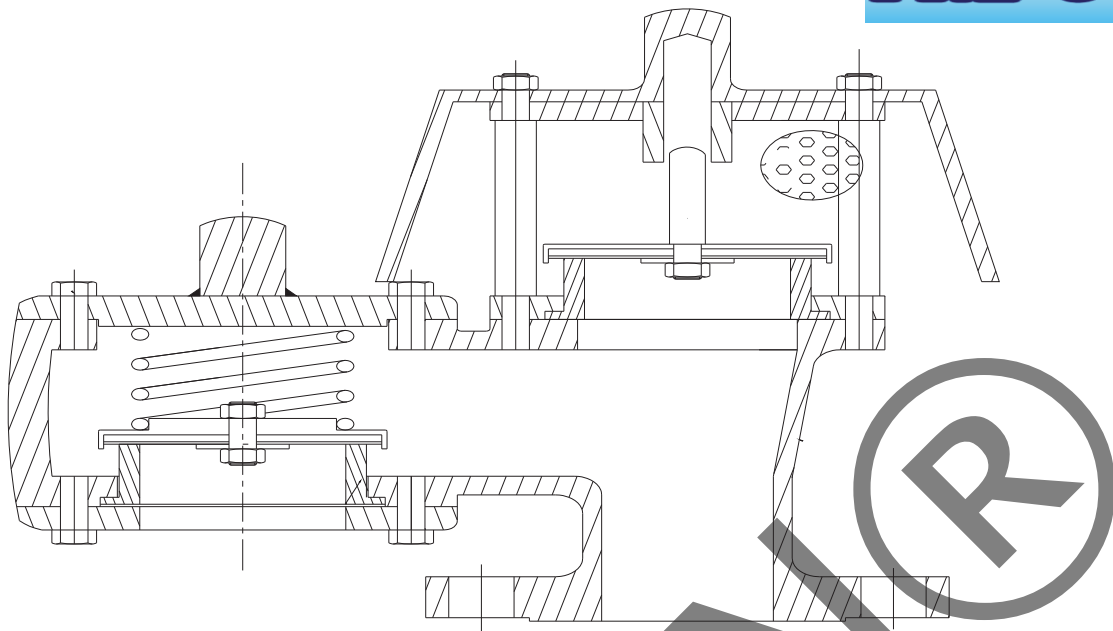
The venting capacities certified in accordance with API /ISO and EN standard.



PFC1 / BV / 2046 / SL (PV)



PFC1 / BV / 2046 / SL (P)



PFCI / BV / 2046 / SL (V)

TABLE – 1 SELECTION OF MATERIAL
PFCI/BV/2046/SL

Description	A	B	C	D
Body	Cast Aluminium	CS	A 351 CF8	A351 CF8M
Seat	SS304	SS304	SS304	SS316
Diaphragm	PTFE	PTFE	PTFE	PTFE
Stem	SS304	SS304	SS304	SS316
Weather hood	Aluminum	Aluminum	Aluminum	Aluminum
Screen	Stainless Steel	Stainless Steel	Stainless Steel	Stainless Steel
Fasteners	MS Zinc plated	MS Zinc plated	SS304	SS316
Spring	CS Cadmium plated	CS Cadmium plated	SS304	SS316

Any special materials like Teflon coating, FRP coating, Poly Propylene, Hastalloy, upon request.

TABLE – 2 SELECTION OF PALLET MATERIAL

Description	A	B	C
Set Pressure in mm Wc	500 to 10000	500 to 10000	50 to 400
Set Vacuum in mm Wc	50 to 400	500 to 8000	500 to 8000
Pallet Material Type	Stainless Steel Pressure Spring Loaded Vacuum Weight Loaded	Stainless Steel Pressure & Vacuum Spring Loaded	Stainless Steel Pressure Weight Loaded Vacuum Spring Loaded

Any special materials like Teflon coating, FRP coating, Hastalloy, Poly Propylene, Titanium upon request.

End connections : ANSI, DIN, JIS,BS & IS
Mounting Holes are straddle centerline.

